

FUSION®

USER / INSTALLATION MANUAL



MS-OS420

4" 2 WAY MARINE BOX SPEAKERS

PUBLISHED BY FUSION ELECTRONICS LIMITED
©Copyright 2012 by Fusion Electronics Limited
All rights reserved. Specifications and design are subject to change without notice.

INSTALLATION TIPS

Any speaker will perform to its best capabilities, when correctly placed in the listening area. FUSION Engineers recognise that unlike a home or motor vehicles installation, there are an extremely wide range of marine environments where speakers may be placed. FUSION Marine Speakers are optimised to perform in the widest possible range of mounting locations, but a little thought and care with placement will always be rewarded with better sound.

- High frequencies are directional. Placing the speakers low down in the boat will lose some of this information.
- Speakers should be placed to simulate “sound stage”, by being placed where you are able to hear both speakers in a stereo situation.

TROUBLESHOOTING

Before you contact your FUSION dealer or service centre, FUSION requires that you do some simple trouble shooting to help diagnose the problem.

Problem	Solution
No sound	Check all connections from the source unit amplifier to the speaker terminals are connected correctly
System lacks in bass	Check the connections from the source unit/amplifier to the speaker. Ensure the positive wire from the source is connected to the positive of the speaker.
System lacks in high frequencies	Check polarity
	Check the bass / treble control settings on the source unit
Distorted sound	Check all wiring
	Check that it is not the surrounding panels of the craft rattling. Check connections from the source to the speaker.

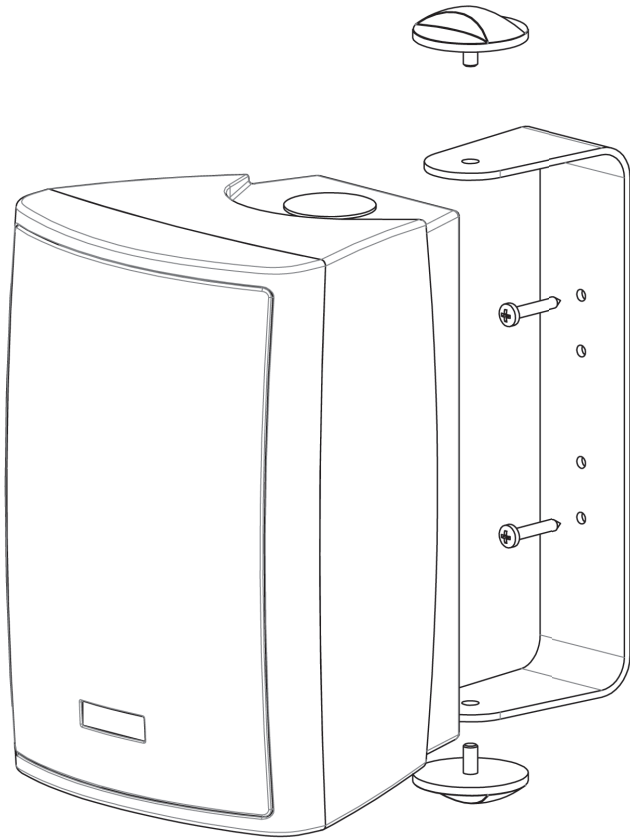


YOU CAN HELP PROTECT THE ENVIRONMENT

Please remember to respect the local regulations:

Hand in the non-working electrical equipment to an appropriate waste disposal centre.

INSTALLATION GUIDE



1. Check mounting position for adequate space (See caution).
2. Place the mounting bracket in position, then mark and drill the mounting holes.
3. Place the mounting bracket and insert screws.
4. Connect the wires from the source unit to the box speaker ensuring the correct polarity is observed.
5. Attach the box speaker to the bracket using the mounting knobs supplied.
6. Adjust the angle of the speaker to the preferred position before tightening the mounting knobs.

CAUTION: For speaker mounting restrictions, please refer to manufacturers recommendations for related navigation equipment.

CONTENTS

• CONTENTS	pg 3
• CONTENTS OF BOX	pg 4
• PRODUCT SPECIFICATIONS	pg 4
• LINE DRAWINGS & DIMENSIONS	pg 5
• INSTALLATION GUIDE	pg 6
• INSTALLATION TIPS	pg 7
• TROUBLESHOOTING	pg 7

REGISTER YOUR PRODUCT ONLINE

For your own peace of mind, register your product purchase online at www.fusionelectronics.com

We'll keep you up to date with any news related to your product, any software upgrades or new accessories to help you get the most from your product.

RECORD YOUR PRODUCT DETAILS HERE:

MODEL NUMBER _____ DATE OF PURCHASE _____

AFFIX RECEIPT HERE

CONTENTS OF BOX

FUSION Marine/Outdoor Speakers are optimised for outdoor use. FUSION Box Speakers are extremely versatile and perfect for boats where flush mount installation is not practical.

These speakers have been thoroughly tested to ensure consistent and reliable performance.

LIST OF CONTENTS

- 2 X Speakers
- 2 X Connection Wire
- Mounting Hardwire
- 2 X Mounting Brackets
- 4 X Mounting Knobs
- Manual
- Warranty Card

PRODUCT SPECIFICATIONS

Tweeter Type	PEI Cone
Max Power (watts)	100
Efficiency (1W1M)	86db
Frequency Response	80Hz – 20kHz
Impedance	4 ohms

LINE DRAWINGS & DIMENSIONS

